

# MOUNTED PNEUMATIC C-RING TOOL TLMT1714C

## SAFETY INSTRUCTIONS

### WARNING:

The employer and/or user must ensure that proper eye protection is worn. Eye protection equipment must conform to the requirements of the American National Standard Institute, ANSI Z87.1-1989 and provide frontal and side protection. Eye protection should be worn by the operator and others in the work area when loading, operating, or servicing this tool. Eye protection is required to guard against possible flying particles and/or debris, which could cause severe eye injury.

NOTE: Non-side shielded prescription glasses and faceshields alone do not provide adequate protection.

### OPERATION

#### **▲WARNING:**

Always handle tool with care:

- Never engage in horseplay.
- Never pull the trigger unless nose of tool is directed toward the work.
- Keep others at a safe distance from the tool while the tool is in operation as actuation occurs, possibly causing injury. Keep hands and body away from the jaw mechanism of the tool.

### LOADING TOOL

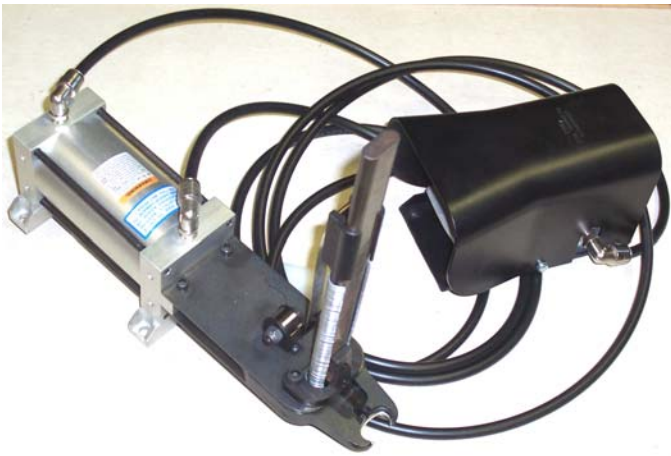
#### **▲WARNING:**

When loading tool:

- Never place a hand or any part of body in jaw mechanism area of tool.
- Never point tool at anyone.
- Never actuate tool when loading, accidental injury may occur.

### AIR CONSUMPTION

TLMT1714C Tool require 6.3 cubic feet per minute (.178 cubic meters per minute) of free air to operate at a rate of 100 fasteners per minute, at 100 P.S.I. (7.0 kg/cm sq.).



### WARNINGS

- **Always** read tool manual before operating.
- Always wear safety glasses while operating or while in the vicinity of a tool in operation.
- For testing, always cycle with an application in the working area to insure proper ring closure. For safety reasons, an improperly functioning tool **must not** be used. When operating tool, never actuate the tool when others are near the crimping work area.
- Operate tool in an unobstructed work area.
- Disconnect air supply prior to maintenance and/or repair of tool.
- Use clean dry air to maximize efficiency. **Do Not Exceed 100 P.S.I. (6.89 bars)**
- Do not use bottled gases such as oxygen, hydrogen, carbon dioxide, acetylene, etc.
- Tools shall be operated with a fitting or hose coupling on or near the tool in such a manner that all compressed air in the tool is discharged at the time the fitting or hose coupling is disconnected.

# STANLEY

®

# Fastening Systems

# TLMT1714C

# - 14 GA. MOUNTABLE TOOL

BILL OF MATERIAL			
ITEM NO.	QTY.	DESCRIPTION	PART NO.
1	2	O-RING END CAPS	MT30
2	1	O-RING PISTON ROD	MT29
3	1	O-RING PISTON 14 GA.	MT38
4	2	BUSHING, DRILL L32-12X.645	MTB03492
5	2	WASHER, 5/16 X 5/8 O.D.	MT31
6	3	NUT, NYLOCK 5/16-24	TL767100
7	1	NUT FLEXLOC	TL727200
8	2	1/4-28 X 1 1/4 S.H.C.S.	TL714120
9	2	1/4-28 NYLOCK NUT	TL724100
10	4	1/4-20 X 1 S.H.C.S.	TL714216
11	1	ROLL PIN 3/32 X 1	SC12
12	2	ROLL PIN .125Ø X 5/8 LG.	SC88
13	1	1/4-20 X 3/8 S.H.C.S.	TL714206
14	1	1/4-20 X 1/2 S.H.C.S.	TL714208
15	2	5/16-24 X 1 3/4 S.H.C.S.	TL717128
16	2	8-32 X 3/16 B.H.C.S.	TL778103
17	2	ROLL PIN 3/32 X 5/16	SC04

BILL OF MATERIAL			
ITEM NO.	QTY.	DESCRIPTION	PART NO.
18	2	DOWEL PIN 1/4" X .625" L.	MTB03493
19	4	1/4-20 X 6 1/2 S.H.C.S.	TL7142104
20	1	CYLINDER END CAP	MTB03448
21	2	TOOL MOUNTING BRACKET	MTB03450
22	1	CYLINDER	MTB03451
23	1	PISTON	B03452
24	1	LATCH SIDE PLATE	B03562F
25	1	MAGAZINE FEED BRACKET	MTB03516
26	1	PUSHER	B03458
27	1	PUSHER SPRING	B01444
28	1	MAGAZINE BODY	C03459
29	1	BRACKET, SPRING SPOOL	MTB03494
30	1	MAGAZINE SIDE PLATE	B03463F
31	1	FRONT STOP	MTB03449
32	4	90 DEG. ELBOW FITTING (NOT SHOWN)	1123
33	1	UPPER JAW	C03460F
34	4	ROLLER	A03453

BILL OF MATERIAL			
ITEM NO.	QTY.	DESCRIPTION	PART NO.
35	1	LATCH SPRING	MTB03495
36	1	LATCH	B03455F
37	1	LOWER JAW	MTC04477
38	1	PISTON ROD	B03454
39	1	14 GA. MAGAZINE SHOE	A03548
40	2	SPRING	A02004
41	1	SPRING BOLT	A02592
42	1	14 GA. TOOL SHIM .010 THK.	MTA03551-010
43	1	14 GA. TOOL SHIM .005 THK.	MTA03551-005
44	1	FEEDER BLADE	B03456
45	1	NOSE GUARD, 14 GA. (OPTIONAL)	B03637
46	1	BUSHING, PISTON ROD	A03457
47	2	MUFFLER (NOT SHOWN)	B02541
48	1	COVERED FOOT CONTROL (NOT SHOWN)	1420
49	12	TUBING 3/8 O.D. (IN FEET) (NOT SHOWN)	1622T
50	2	PIN, DOWEL (3/16" DIA. x (NOT SHOWN)	SC103

DATE	CHECK NUMBER	ESH DESCRIPTION
4/20/98	RFC	WAS 9/16-84 X 1 3/4 SHCS JSH

**NOTES:**

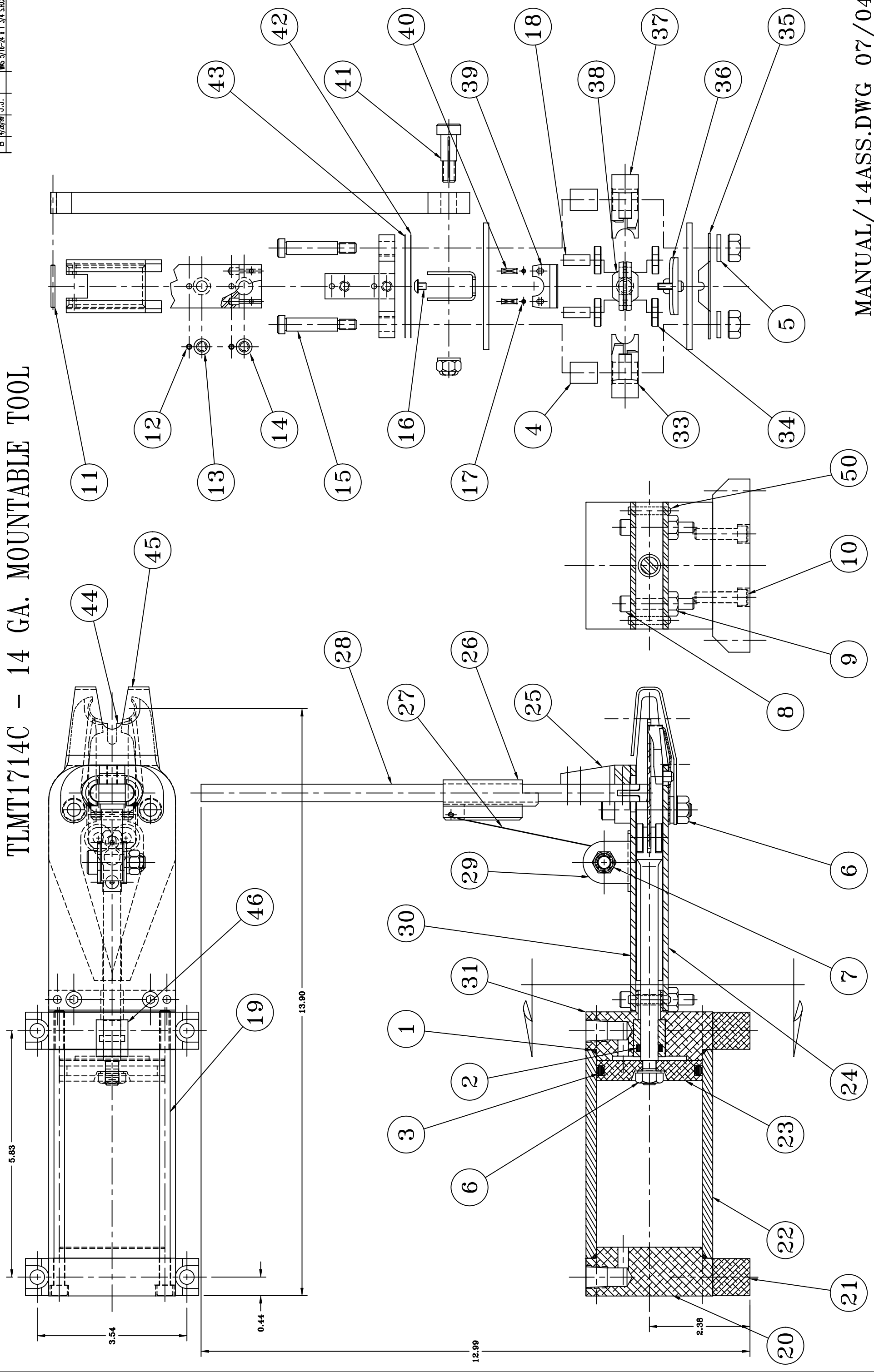
1. "\*" DESIGNATES OPTIONAL/AS REQUIRED SHIMS.

## TLMT1714C OPTIONS

14 GA. TOUCH TRIP KIT  
MTCKA12

# TLMT1714C - 14 GA. MOUNTABLE TOOL

DATE	CHECK	DESCRIPTION	BY:
B 4/28/99	J.J.	WAS 5/16-24 x 1 3/4 S.A.C.S. (SH)	



## TO DISASSEMBLE

### Jaws and Magazine Assembly

1. Remove lock nuts, washers and latch spring (#6, #5 and #35) from jaw bolts (#15).
2. Removing jaw bolts from tool, this allows the magazine assembly, latch (#36) and jaws (#33 and #37) with jaw bushings (#4) to be removed from the tool.

### Feeder blade and rollers

1. Remove (2) socket head cap screws (#8) with lock nuts (#9).
2. Remove side plates (#24 and #30).
3. Remove (4) rollers, (2) roller pins and feeder blade (#34, #18 and #44).

### Piston and Piston Rod

1. Remove (4) tie bolts (#19) from rear of tool.
2. Remove rear end caps with o-rings (#20, and #1).
3. Remove cylinder tube (#22)
4. Place tool into vise clamping down on flat areas of piston rod (#38)(do not over-tighten so as not to deform feeder blade slot).
5. Apply heat as needed to break down thread lock adhesive on threaded end of piston rod and lock nut (#6).
6. Remove lock nut (#6) and piston (#23).
7. Piston rod (#38) may now be removed from the front end cap (31).
8. Remove piston rod o-ring (#2) using machinist scribe from the clearance hole at the front of tool (side plate mtg. end).

### Side Plate and Pusher Assembly

1. Remove the button head cap screw (#16) closest to the magazine hole in the side plate (#30).
2. Loosen the other button head cap screw (#16), and slide the pusher bracket (#29) off.

## TO RE-ASSEMBLE

1. Install o-ring (#2) into front stop (#31) using the piston rod clearance hole.
2. Slide piston rod (#38) into front stop. Be careful not to damage o-ring (#2) when pushing piston rod into housing, use lubrication.
3. Place o-ring (#1) onto front stop (#31).
4. Place o-ring (#3) onto piston (#23).
5. Apply Loctite #242 or equivalent onto threads of piston rod (#38). Assemble piston (#23) onto piston rod and lock into position with lock nut (#6).
6. Slide cylinder tube (#22) onto the piston with o-ring. Be careful of piston o-ring when inserting piston, use lubrication.
7. Mount the end cap (#21) with o-ring (#1).
8. Secure cylinder tube and end caps together with tie bolts (#19).
9. Mount feeder blade (#44) and two roller pins (#18) on piston rod (#38).
10. Place four rollers (#34) on the roller pins (#18). Lubrication will hold the rollers in place while assembling the rest of the tool.
11. Attach the two side plates (#24 and #30) to the front stop by insert two socket head cap screws (#8) from magazine side of tool and install lock nuts (#9).
12. Insert roll pins (#11) into pusher and pusher spring (#26 and #27) from both sides. Make sure that the pusher is in the proper orientation (see parts diagram).
13. Install spring spool bracket onto magazine side plate using button head screws (#16).
14. Mount latch (#36) onto side plate (#24) side opposite the magazine.

15. Install jaw bushings (#4) into jaws (#33 and #37). Lubricate both jaws and bushings before installing them.
16. Place jaws with bushings between the side plates.
17. Slide magazine assembly into position on the side plate.
18. Place (1) .010" magazine shim (#42) under the magazine foot, between magazine and side plate. Other shims may be added or subtracted to get the proper drop in the magazine shoe. See *Magazine Adjustment Procedure*.
19. Insert jaw bolts (#15) through the magazine, shim, side plate, jaw bushing, side plate, latch spring (#17) and washers (#5). Secure jaw bolts with nylock nuts (#6). Do not over tighten jaw bolts, jaws must still pivot freely.

## INSTALLATION PROCEDURE / ADJUSTMENTS

### Magazine

1. Before tightening jaw bolts (#15), insert approximately .010" of shims.
2. Tighten bolts and check magazine shoe (#39) for proper fit
3. When shimmed correctly, and with the feeder blade in the forward position, the shoe should have approximately .010"(.25mm) float up and down.
4. Cycle tool and check for proper ring closure. If feeder blade hits rear of shoe, add another shim. Shims are available in two thickness' of .005"(.013mm) (#43) and .010"(.25mm) (#42).

### LUBRICATION

1. The "MT" series Flex-C tools are designed for long, trouble-free service with minimal air line lubrication. (If an in-line lubricator is used, it should be set at the minimum rate of flow.)
2. Excess oil in the tool will attract dirt, lint, and the adhesive material used in collating the fasteners, preventing smooth operation. When lubrication is used, always use a good **grade of 5W non-detergent oil with no additives**.
3. When servicing or repairing tool use **lithium grease** on all moving parts.

### FILTER AND REGULATOR

The air line should always contain a filter and regulator unit to provide the tool with a constant flow of clean, dry air. If moisture and contaminants are allowed to enter the tool, the tool's serviceable life will be decreased.

### TIPS ON EXTENDING TOOL LIFE

The serviceable life of the "MT" series tools can be extended greatly by using the following guidelines:

1. Always use Stanley Fastening Systems brand fasteners. Never replace worn or broken parts with anything other than genuine Stanley Fastening Systems parts. **Generic fasteners** may shorten the life of your Flex-C tool and **will void** the manufacturer's warranty.
2. Keep your tool(s) clean and dry. Always use clean, dry air and never exceed the recommended air pressure.
3. Use of this tool at minimum air pressure required for the work at hand will greatly extend the life of the tool.
4. Exercise caution not to drop equipment. Tools that are dropping onto the floor or ground are a primary reason for parts replacement.

**SPECIFICATIONS AND TYPES OF MATERIALS AVAILABLE BY PART NUMBER**

Part Number	Per Strip #	Per Box #	Material	Wire Diameter	Ring I.D.	Ring Leg Opening	Operating Rang of Tool TLMT1714C
RING1714G100B	100	10,000	Galvanized	0.080	1.06	0.74	13/32 – 15/32

**RINGS ARE ONLY AVAILBLE IN SHARP POINTS**

**HELPFUL HINTS FOR FIELD SERVICE TOOL JAMS**

1. The most common reason for jamming problems in the SC tool is short cycling. Because of the tool’s valve unit, the trigger must be pulled completely to the rear to ensure positive functioning of the valve. If the tool is “short cycled,” the feed mechanism will return forward prematurely in an attempt to pick up a second ring. This will most likely cause a jam.
2. If a jam occurs, pull pusher and rings back on magazine. Point tool away from yourself and others, and cycle tool slowly. This should force jammed ring(s) out of jaw mechanism.
3. If procedure “2” does not clear the tool, **disconnect air**, lay tool on a clean flat surface and remove top jaw bolt and nut, and pull top jaw and bushing from tool. Jammed rings are now exposed and may be removed from tool. Remove build up of dirt, lint, and any other foreign debris and check for worn or damaged parts. Re-assemble in reverse order.
4. Replace worn or damaged parts to keep tool operating properly.

**RING DOES NOT CLOSE COMPLETELY**

1. Check air pressure. Line pressure at the tool should be between 70 and 90 psi (4.8 - 6.2 bars.) for most applications. The tool should never be operated at pressures exceeding 100 psi (6.89 bars).
2. A 3/8” (9.5 mm) or larger air line should be used with the “SC” Series Tools. Air lines in excess of 100’ (30.5 meters) in length can cause air volume deficiencies at the tool which will prevent normal operation.
3. Check for foreign debris in the jaw area. This is especially true in the area between the side plates and rollers.
4. The jaws may be worn from extended use. Check the “land” between the receiving grooves of the jaws. If the land is worn excessively, replacing the jaw(s) is recommended.
5. When the tool is used in corrosive applications, light oil should be applied on a regular basis to the jaw bushings and rollers. Unlubricated and/or corroded jaw bushings may cause the tool to function poorly.
6. When ring teardrops, the latch is not backing the ring up properly. Replace or reshape latch spring to hold latch against the side plate. The latch may also need replaced to get proper ring shape.

**FEEDING PROBLEMS**

1. If rings do not feed smoothly down the magazine, check pusher spring for proper tension. If the magazine is covered with dirt from field use, clean the magazine and apply a light coating of oil.
2. When rings feed properly on the magazine but do not feed into the jaws without spitting out of the magazine side of the tool, or if the rings sit in the jaw grooves on an angle, check jaws to insure freedom of movement. With the jaws void of rings, the vertical movement should be approximately .06” (1.5 mm). The jaw bolt nuts should be snug, but **never over-tightened**.
3. After considerable use or several jams, the fingers on the pusher may show signs of spreading. This may cause the pusher to “hang up” on the magazine, with little or no pressure behind the rings. The last few rings in the strip will not feed into the jaw mechanism. The pusher fingers can be squeezed back into proper position or the pusher should be replaced. **NEVER USE LOOSE RINGS IN THE SC TOOL.**

**LIMITED WARRANTY**

Stanley Fastening Systems warrants to the original retail purchaser that this product is free from defects in material and workmanship, and agrees to repair or replace, at Stanley Fastening Systems’ option, any defective product within 60 days from the date of purchase. This warranty is not transferable. It only covers damage resulting from defects in material or workmanship, and it does not cover conditions or malfunctions resulting from normal wear, neglect, abuse, or accident.

THIS WARRANTY IS IN LIEU OF ALL OTHER EXPRESS WARRANTIES. ANY WARRANTY OF MERCHANTABILITY OR FITNESS FOR A PARTICULAR PURPOSE IS LIMITED TO THE DURATION OF THIS WARRANTY. STANLEY FASTENING SYSTEMS SHALL NOT BE LIABLE FOR ANY INCIDENTAL OR CONSEQUENTIAL DAMAGES.

Some states do not allow limitations on how long an implied warranty lasts, or the exclusion or limitation of incidental or consequential damages, so the above limitations or exclusions may not apply to you. This warranty gives you specific legal rights, and you may also have other rights which vary from state to state.

To obtain warranty service, you must return the product at your expense together with the proof of purchase to a Stanley-Bostitch Regional warranty repair center or you may call us at 1-800-556-6696 or 1-800-832-3080 for the location of additional authorized warranty service locations in your area.

