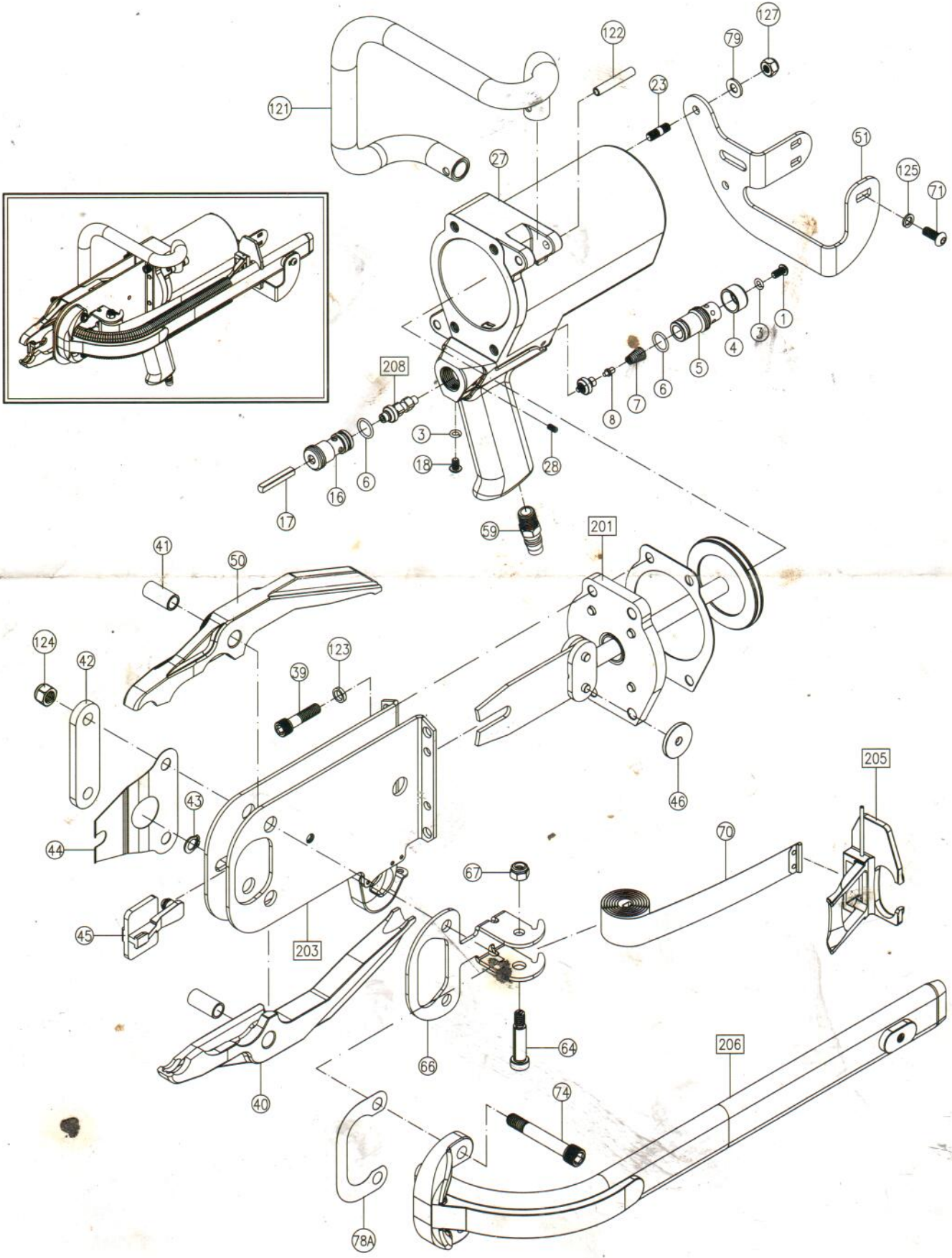


GLFast™

GLF50T



PARTS LIST FOR AC50T

ITEM	DESCRIPTION	PART NO.	Q'TY	ITEM	DESCRIPTION	PART NO.	Q'TY
1	Set Screw	AC01001	1	46	Roller	AC50046	4
3	Shakeproof lock Washer	AC01003	4	47	Feeder Blade	AC50047	1
4	Air Deflector	AC01004	1	48	Piston Rod	AC50048	1
5	Rear Valve Seat	AC01005	1	49	Roller Pin	AC50049	2
6	O-Ring	AC01006	2	50	Lower Jaw	AC50050	1
7	Throttle Spring	AC01007	1	51	Feeder Arm	AC50T051	1
8	Throttle Spring Locator	AC01008	1	59	Inlet Bushing	AC01059	1
9	Throttle Valve Screw	AC01009	2	64	Socket Head Cap Screw	AC50064	1
10	Valve Screw Washer	AC01010	2	66	Pusher Set	AC50T066	1
11	O-Ring Support	AC01011	4	67	Nut	AC01067	1
12	O-Ring	AC01012	4	68	Pusher	AC50T068	1
13	O-Ring Center Support	AC01013	2	69	Stop Ring	AC50069	1
14	Throttle Valve Spacer	AC01014	1	70	Spring	AC50070	1
16	Front Valve Seat	AC01016	1	71	Feeder Arm Screw	AC50071	1
17	Throttle Stem	AC01017	1	73	Magazine Body	AC50073	1
18	Button Head Cap Screw	AC01018	1	74	Jaw Bolt	AC50074	2
20	Trigger Guard	AC01020	1	75	Magazine Spring	AC50075	1
21	Flexloc Nut	AC50021	1	76	Magazine Shoe	AC50076	1
23	Stud	AC01023	2	77	Roll Pin	AC50077	2
27	Housing	AC50027	1	78A	Magazine Shim	AC5078A	1
28	Set Screw	AC01028	2	79	Washer	AC01079	2
29	O-Ring	AC50029	1	117	Spacer	AC50117	4
30	Piston	AC50030	1	119	O-Ring	AC50119	1
31	Cylinder Gasket	AC50031	1	120	Roller Pin	AC50120	4
32	Piston Stop Spacer	AC50032	1	121	Handle	AC50121	1
34	Cylinder	AC50034	1	122	Handle Pin	AC50122	2
35R	Side Plate (Right)	AC50M35R	1	123	Washer	AC50123	4
35L	Side Plate (Left)	AC50M35L	1	124	Plate Nut	AC50124	2
36	Roll Pin	AC50036	3	125	Washer	AC50125	1
37	Trigger	AC01037S	1	127	Nut	AC01021	2
39	Socket Head Cap Screw	AC50039	4	201	Piston Assembly	AC50201	1
40	Upper Jaw	AC50040	1	202	Piston Rod Assy.	AC50202	1
41	Jaw Bushing	AC50041	2	203	Frame Assembly	AC50M203	1
42	Support Plate	AC50042	1	205	Pusher Assembly	AC50T205	1
43	Latch Pin Clip	AC50043	1	206	Magazine Assembly	AC50206	1
44	Latch Spring	AC50044	1	208	Throttle Assembly	AC01208	1
45	Latch	AC50045	1	209	Piston Spacer Assy.	AC50209	1