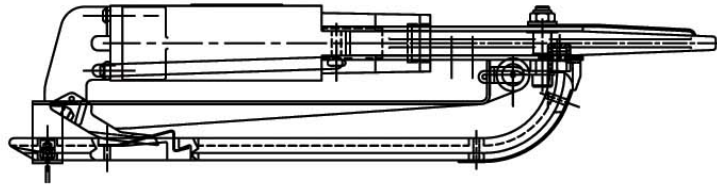
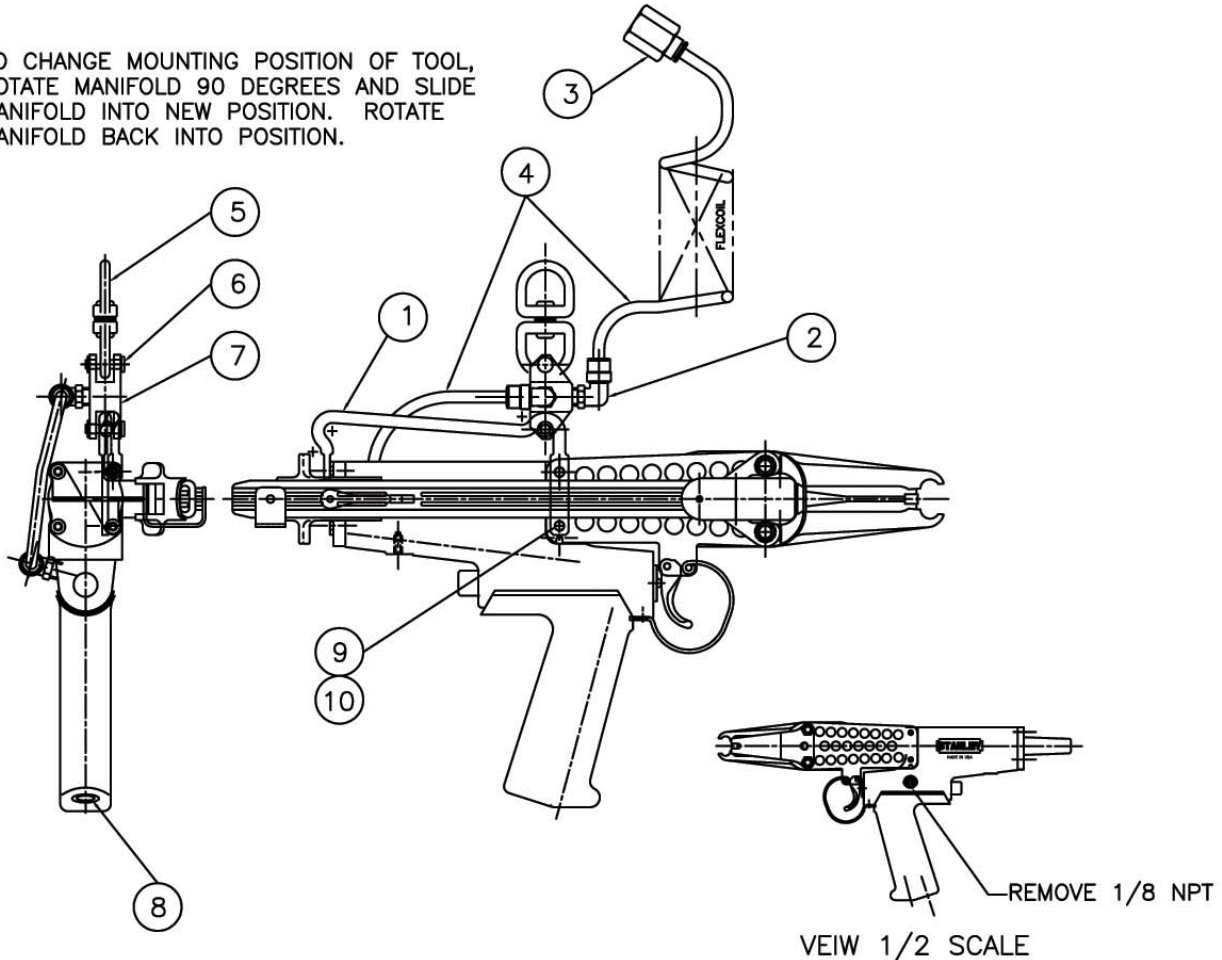




MANIFOLD KIT PART NO. SCK015



TO CHANGE MOUNTING POSITION OF TOOL,
ROTATE MANIFOLD 90 DEGREES AND SLIDE
MANIFOLD INTO NEW POSITION. ROTATE
MANIFOLD BACK INTO POSITION.

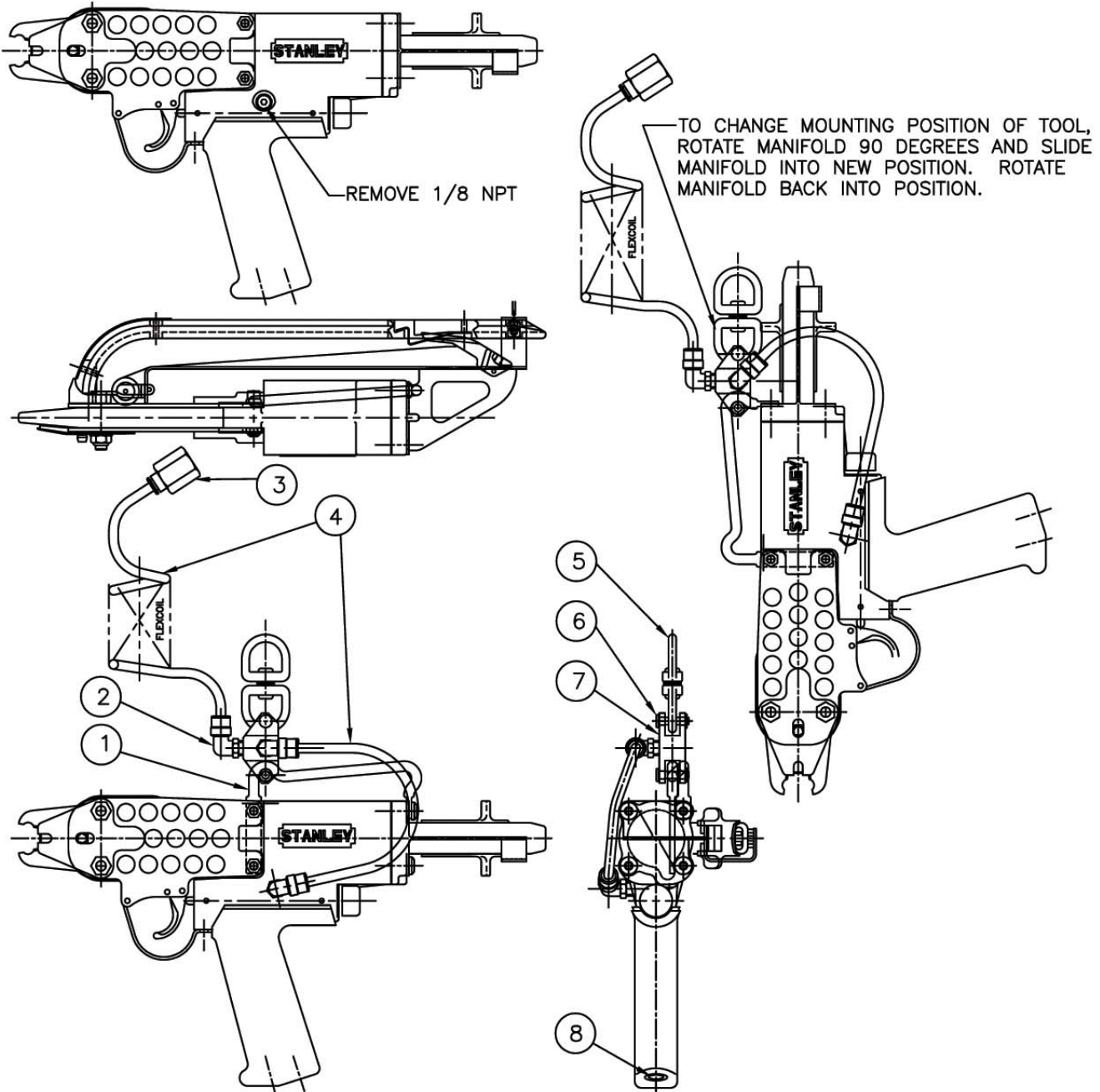


ITEM NO.	QTY	PART NO.	DESCRIPTION
1	1	B04720	BRACKET, SC77XE MANIFOLD
2	3	1735	FITTING, ELBOW
3	1	1750	FITTING, PUSH ON TUBE
4	1	1751	TUBING, PLY COIL 1/4" O.D.
5	1	64-2213	SWIVEL, STANLEY
6	2	1736	PIN, CLEVIS w/ E-CLIP
7	1	B04033	MANIFOLD, SC TOOL
8	1	1124	PLUG, HEX SOCKET 1/4-18 NPT
^C _B 9	2	TL710220	S.H.C.S. #10-24 x 1 1/4"
^B			

1. REMOVE 1/8 NPT PRESSURE PLUG FROM SIDE OF HOUSING.
2. INSTALL ELBOW FITTING (#2) WITH SEALANT INTO HOUSING USING A 12mm WRENCH
3. REMOVE BOTH #10 FASTENERS HOLDING SIDEPLATES ONTO THE HOUSING.
4. REMOVE 1/4 FASTENER FROM END CAP (SEE DIAGRAM).
5. MOUNT MANIFOLD BRACKET (#1) ONTO TOOL BETWEEN MAGAZINE AND HOUSING, USING FASTENERS (#9) AND THE EXITING NUTS.
6. INSTALL 1/4-18 NPT PLUG (#8) INTO BOTTOM OF TOOL HANDLE WITH SEALANT.
7. VERIFY ALL TUBES ARE PRESSED INTO FITTINGS COMPLETELY.
8. ATTACH TO AIR SUPPLY AND CHECK FOR AIR LEAKS.

SC77 MANIFOLD 6/14/04 REV. "C"
CHANGED ITEM 9 WAS TL710120
& REMOVED ITEM 10
SC77 MANIFOLD 5/5/04 REV. "B"
ADDED ITEMS 9 & 10

MANIFOLD KIT PART NO. SCK014



ITEM NO.	QTY	PART NO.	DESCRIPTION
1	1	B04718	BRACKET, SC7 MANIFOLD
2	3	1735	FITTING, ELBOW
3	1	1750	FITTING, PUSH ON TUBE
4	1	1751	TUBING, PLY COIL 1/4" O.D.
5	1	64-2213	SWIVEL, STANLEY
6	2	1736	PIN, CLEVIS w/ E-CLIP
7	1	B04033	MANIFOLD, SC TOOL
8	1	1124	PLUG, HEX SOCKET 1/4-18 NPT
9	1	TL710220	S.H.C.S. #10-24 x 1 1/4

1. REMOVE 1/8 NPT PRESSURE PLUG FROM SIDE OF HOUSING.
2. INSTALL ELBOW FITTING (#2) WITH SEALANT INTO HOUSING USING A 12mm WRENCH
3. REMOVE BOTH #10 FASTENERS HOLDING SIDEPLATES ONTO THE HOUSING.
4. REMOVE 1/4 FASTENER FROM END CAP (SEE DIAGRAM).
5. MOUNT MANIFOLD BRACKET (#1) ONTO TOOL BETWEEN MAGAZINE AND HOUSING USING ITEM #9 FASTENERS AND THE EXISTING NUTS.
6. INSTALL 1/4-18 NPT PLUG (#8) INTO BOTTOM OF TOOL HANDLE WITH SEALANT.
7. VERIFY ALL TUBES ARE PRESSED INTO FITTINGS COMPLETELY.
8. ATTACH TO AIR SUPPLY AND CHECK FOR AIR LEAKS.

SC7 MANIFOLD 6/14/04 REV. "B"
 ADDED ITEM #9
 SC7 MANIFOLD 8/15/02 REV. "A"