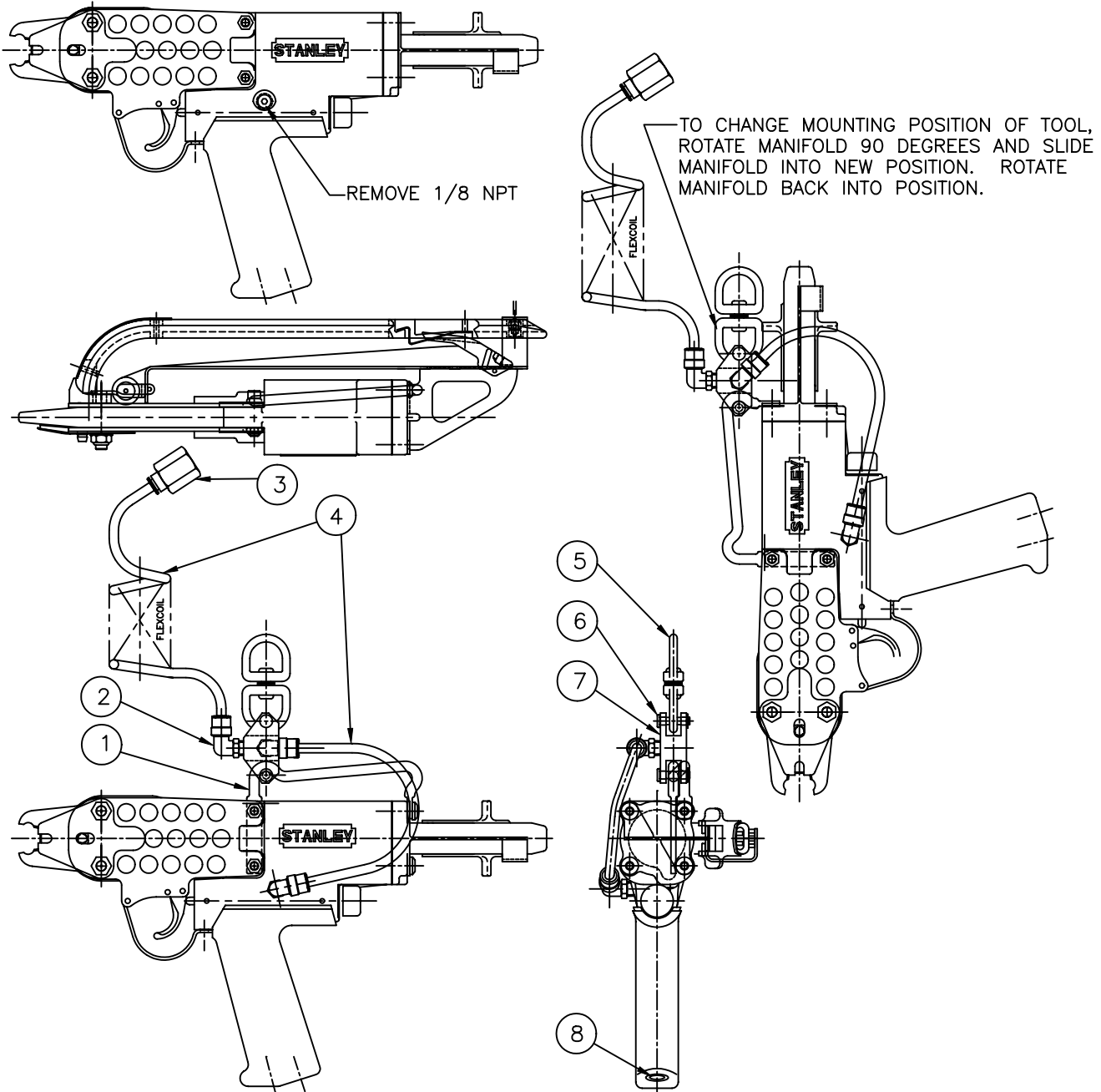


# MANIFOLD KIT PART NO. SCK014



ITEM NO.	QTY	PART NO.	DESCRIPTION
1	1	B04718	BRACKET, SC7 MANIFOLD
2	3	1735	FITTING, ELBOW
3	1	1750	FITTING, PUSH ON TUBE
4	1	1751	TUBING, PLY COIL 1/4" O.D.
5	1	64-2213	SWIVEL, STANLEY
6	2	1736	PIN, CLEVIS w/ E-CLIP
7	1	B04033	MANIFOLD, SC TOOL
8	1	1124	PLUG, HEX SOCKET 1/4-18 NPT
9	1	TL710220	S.H.C.S. #10-24 x 1 1/4

1. REMOVE 1/8 NPT PRESSURE PLUG FROM SIDE OF HOUSING.
2. INSTALL ELBOW FITTING (#2) WITH SEALANT INTO HOUSING USING A 12mm WRENCH
3. REMOVE BOTH #10 FASTENERS HOLDING SIDEPLATES ONTO THE HOUSING.
4. REMOVE 1/4 FASTENER FROM END CAP (SEE DIAGRAM).
5. MOUNT MANIFOLD BRACKET (#1) ONTO TOOL BETWEEN MAGAZINE AND HOUSING USING ITEM #9 FASTENERS AND THE EXISTING NUTS.
6. INSTALL 1/4-18 NPT PLUG (#8) INTO BOTTOM OF TOOL HANDLE WITH SEALANT.
7. VERIFY ALL TUBES ARE PRESSED INTO FITTINGS COMPLETELY.
8. ATTACH TO AIR SUPPLY AND CHECK FOR AIR LEAKS.

SC7 MANIFOLD 6/14/04 REV. "B"  
 ADDED ITEM #9  
 SC7 MANIFOLD 8/15/02 REV. "A"